

ROUND E

BASIC CHARACTERISTIC

Elegant and sophisticated design, optimal capacity and above standard user's comfort are the qualities characterizing the turnstile **ROUND-E**. This turnstile is suitable solution in the environment of entrance halls and lobby where a big emphasis to aesthetics and design is required. Broad-spectrum of other materials and different design of coloured glass make possible to integrate **ROUND-E** turnstile to any environment. Turnstile **ROUND E** is the bi-directional turnstile with electronic control, by its rotation 120° ensures the comfortable, easy and safe access to one person.

Turnstile **ROUND E** is equipped with a motor drive unit, afterwards it is a quiet, motorized user-friendly turnstile.

Up-to-date control electronics enables easy setting of its

turnstile operating mode and at the same time it makes possible the communication with different types of identification systems including manual control. To ensure the access of immobile persons and at the same time to realize safety regulations then turnstile **ROUND E** can be suitably completed by PEGAS gates and together they make compact and complex entrance control system.

Motor drive unit MT

Turnstile **ROUND E** motor drive unit is characteristic by its high comfort, reliable and service-free running:

- Effective blocking system in combination with motor-driven unit
- Automatically adapts the rotation speed of passing persons
- High level of security is provided by prompt turnstile movement stopping at the moment of obstruction detection
- Silent and fluent running
- The possibility to set smooth final phase of rotation.

Motor drive unit is supplied in two variants:

- 1) **FAIL-LOCK:** turnstile is blocked during the power failure
- 2) **FAIL-SAFE:** the turnstile is unblocked for the free passing during the power failure

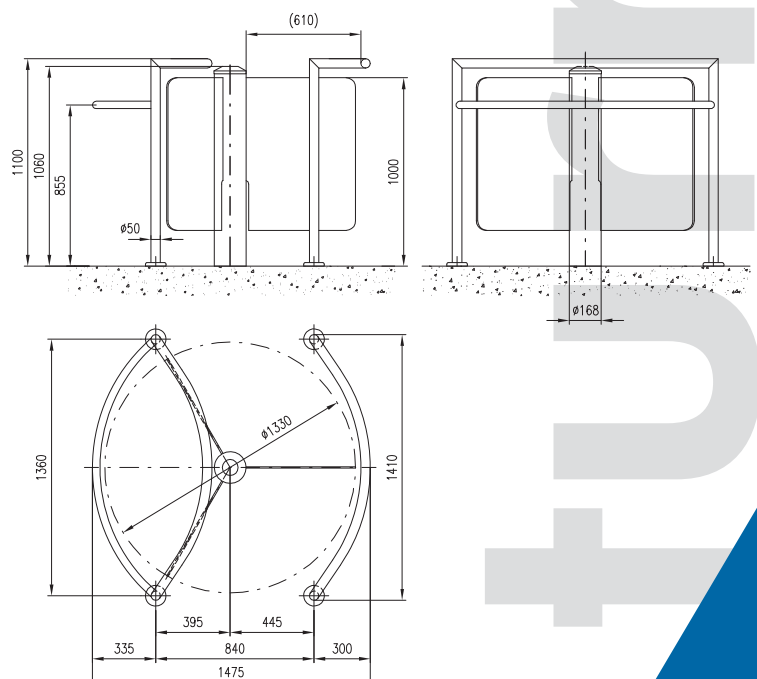
TURNSTILE MATERIALS AND SURFACE TREATMENT:

Central column: stainless tube \varnothing 168 mm (standard: polished)

Wings: tempered safety glass, thickness 8 mm without any frame (standard: clear glass) with stainless handrail made from tube \varnothing 22mm on the upper edge of glass

Railings: stainless tube \varnothing 60 mm (standard: polished)

Other mechanical parts of turnstile are finished by galvanic zincing or blackening.



INTERFACE:

Turnstiles are controlled by microprocessor control electronics that communicates with superior control system by the help of the following input and output TTL signals:

- For each passage direction one activating input
- Output for signalling situation the turnstile in operation (BUSY)
- Two outputs signalling the actual passage through turnstile in existing direction (especially used for ANTIPASSBACK function)
- Input for permanent activation of free passing in existing direction and enables the time setting to realize the passage through turnstile at 6 or 10s (Time-out).
- Control electronics is equipped with switch-off acoustic position signals the turnstile is running (BUSY). Control electronics is protected against the short-circuit, overloading or mismatch of polarity.

State of emergency

FAIL-SAFE unit: turnstile will be automatically unblocked during power cut and it will freely turn in both directions through the transfer mechanism.

FAIL-LOCK unit: In using the backup device it is possible to ensure the turnstile standard functions during the time of 6 hours without possibility of automatic unblocking and free turning.

Operating modes

By external signal from identification system or remote control panel it is possible to turn round the turnstile 120° and by that way enable the passing to one person. For each way of direction it is possible to define different operating modes:

1. **free passage**
2. **controlled passage**
3. **permanently blocked**

This setting can be set-up for any direction eventually for both directions at the same time.

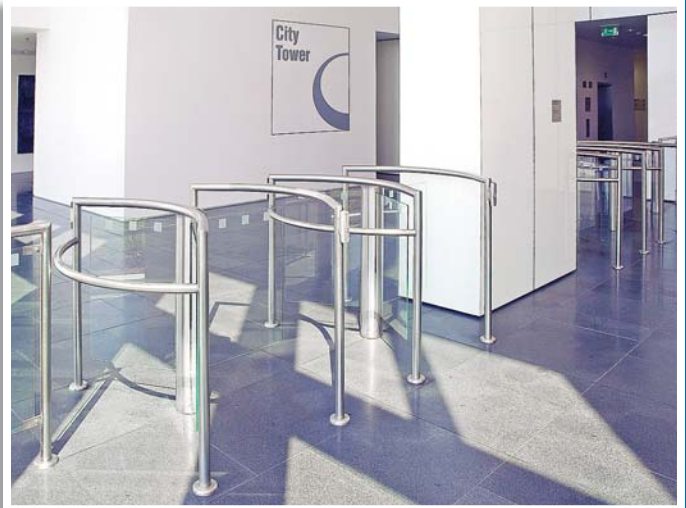
BASIC TECHNICAL PARAMETERS

Scheme of drive unit electric parameters

Type of drive unit	Rated supply voltage	Power supply at the basic turnstile mode		
		Standby	BUSY	Transit
Motorová FAIL-LOCK	12VDC	0,8W	10W	20 - 30W
Motorová FAIL-SAFE	12VDC	1W	1W	15 - 20W

- standard range of working temperatures +10°... +50°C
- Range of working temperature with heating module: -25°...+50°C
- Range of storage temperatures: 0°...+50°C
- Maximum relative humidity 80% (non-aggressive environment)
- MCBF: 3.000.000 cycles (number of cycles before error)

The number of passages, depending on type of control electronics, operating mode and the way of identification of passing people, is between 15 to 30 persons per minute.



The power supply can be increased by using the accessories.

ACCESSORIES

Columns and holders for accessories:

Columns and holders for placing the readers of identification systems or other accessories (for example: TrafficLight information panel).

TrafficLight information panel

- Information about the turnstile trafficability in set direction
- Information about transit permission based on evaluation of identification system

Touch control panel

- turnstile manual control
- turnstile manual unblocking

Back-up accumulator:

During a power failure the accumulator ensures the turnstile will work for a minimum of 6 hours of continuous operation.

Counter:

Turnstile can be equipped with the passage counter.

Identification systems

For verification of access right of passing persons it is possible to connect to these turnstiles **ROUND - E** any type of barcode, magnetic card, proximity card, smartcard, biometric reader etc.

Specific variants:

- Central column is made from tube Ø 204 mm - overall dimensions (w x h x d) 1490 x 1420 x 1100
- Choice of coloured glass